

TECHNICAL DATA

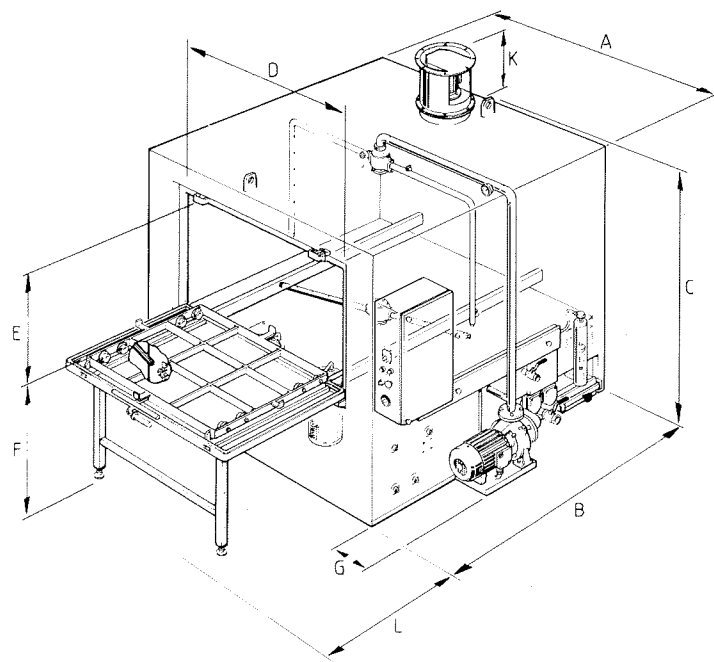
Model	Connection power kW	Tank		Pump			Maximum load dimensions			Maximum load kg	Machine weight kg	Steam extractor		
		Heating capacity kW	Tank volume litres	Capacity l/min	Spray pressure kPa	Motor kW	□	∅	Height			Type	Capacity m³/h	Pressure Pa
C-800	14	9	350	200	400	4.0	500	700	550	500	400	DF-2	1200	250
C-1000	17	12	650	230	400	4.0	700	900	800	500	650	DF-2	1200	250
C-1000 H	17	12	650	250	400	4.0	700	900	1200	500	750	DF-2	1200	250
C-1200	19	18	800	350	400	5.5	800	1100	700	700	750	DF-2	1200	250
C-1200 H	19	18	800	370	400	5.5	800	1100	1200	700	850	DF-2	1200	250
C-1600	25	24	1300	380	400	5.5	1000	1400	800	700	1000	DF-2	1200	250
C-1600 H	25	24	1300	400	450	7.5	1000	1400	1200	700	1100	DF-2	1200	250
C-2000	37	36	1900	430	450	7.5	1300	1700	800	1000	1300	DF-2	1200	250
C-2000 H	37	36	1900	450	450	7.5	1300	1700	1200	1000	1500	DF-2	1200	250
C-2600	49	48	3100	660	450	11.0	1750	2300	800	2500	2000	DF-3	2000	300
C-2600 H	49	48	3100	700	450	11.0	1750	2300	1200	2500	2200	DF-3	2000	300

PRINCIPAL DIMENSIONS

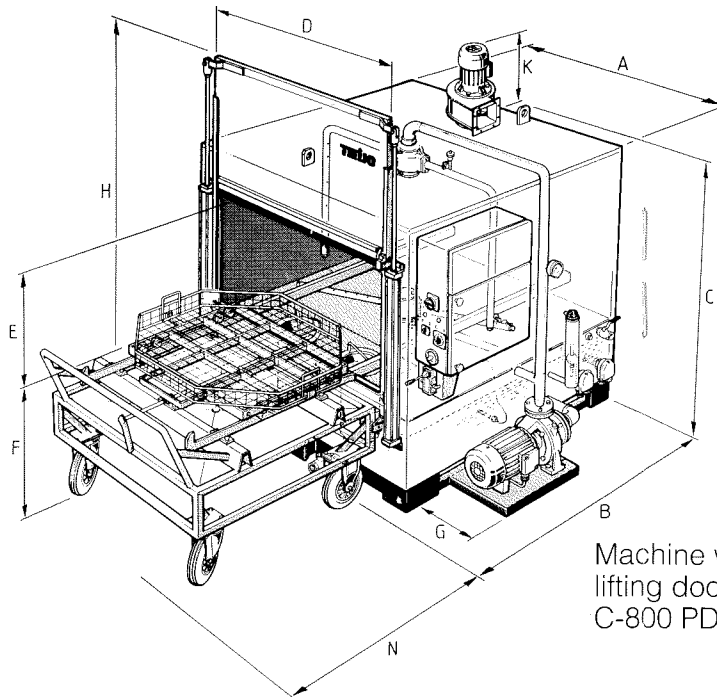
Model	Width	Depth	Height	Door width	Cleaning height	Working height	Width	Height	Height	Length KD-model L	Length M	Length N	Load grating	
	A	B	C	D	E	F	G	H	K				S	T
C-800	1050	1180	1850	700	550	800	320	2500	400	750	800	900	*) ∅ 700	-
C-1000	1400	1500	2200	900	800	930	400	3050	400	1100	950	1050	870	220
C-1000 H	1400	1500	2600	900	1200	930	400	3850	400	-	950	1050	870	220
C-1200	1500	1600	2000	1100	700	800	350	2900	400	950	1050	1150	950	260
C-1200 H	1500	1600	2600	1100	1200	800	350	3650	400	-	1050	1150	950	260
C-1600	1900	2000	2200	1400	800	930	400	3050	400	1100	1350	1550	1250	260
C-1600 H	1900	2000	2600	1400	1200	930	400	3850	400	-	1350	1550	1250	260
C-2000	2300	2415	2200	1800	800	930	400	3050	400	-	1650	1800	1550	300
C-2000 H	2300	2415	2600	1800	1200	930	400	3850	400	-	1650	1800	1550	300
C-2600	2900	3000	2200	2300	800	930	400	3050	550	-	2200	-	2050	500
C-2600 H	2900	3000	2600	2300	1200	930	400	3850	550	-	2200	-	2050	500

Dimensions in mm

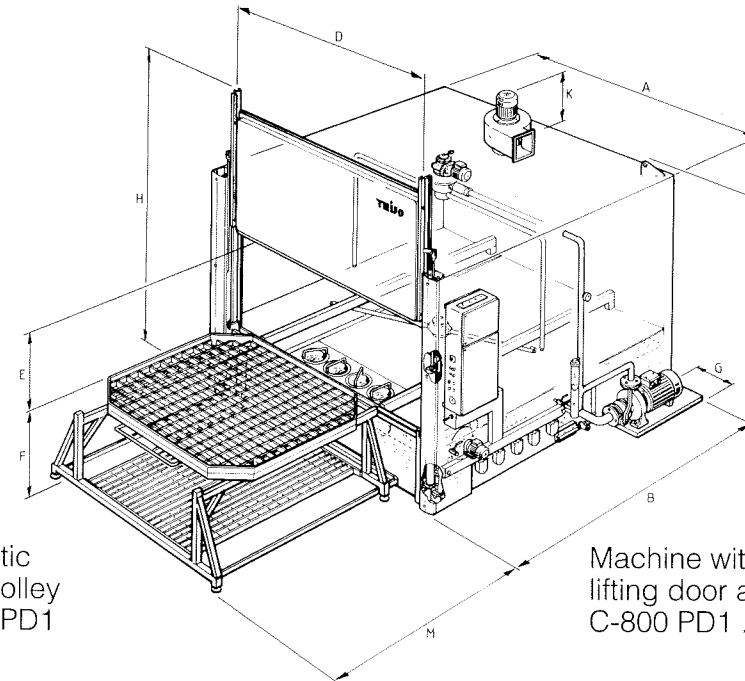
*) Load basket



Machine with hinged door
C-800 KD ... C-1600 KD



Machine with pneumatic
lifting door and load trolley
C-800 PD1 ... C-2000 PD1



Machine with pneumatic
lifting door and load platform
C-800 PD1 ... C-2600 PD1

