

SIMPLEX 60/80

PARTS WASHERS WITH ROTARY BASKET, PLC AND TOUCHSCREEN

Simplex is a system ideal for the automatic washing of small and medium size mechanical parts. The washing is carried out by the action of upper, lower and side jets. The slow rotation of the basket is ensured by a gear motor.

A PLC and touchscreen display management enables numberless customisations thanks to a wide range of accessories.



- SIMPLEX 60
- SIMPLEX 80

VERSION

Electric, LT, maximum adjustable temperature at 60°C
Electric, HT, maximum adjustable temperature at 80°C

SUPPLY VOLTAGE

400V 3PH+N+T 50 HZ (and more on demand)

EQUIPMENT

What is included in all Simplex 60 e 80 machines

- Reinforced basket in electrowelded net with external edge of galvanized steel (Simplex 80) or stainless steel AISI 304 (Simplex 60)
- Electric pump in stainless steel AISI 304 with special Gaskets
- Filter in stainless steel AISI 304 on the pump suction
- Tank edge Gasket in EPDM
- Electrical resistor in stainless steel Incoloy
- Mechanical rotation of the basket by a gear motor
- IP 65 electric system with PLC (DGT V4)
- Structure and plates in stainless steel
- Flexible suction and pump delivery pipes (easy maintenance)
- Tank liquid minimum level control for the protection of pump and resistor
- Tank liquid maximum level control and solenoid valve for automatic water intake

- Safety limit switch on the cover opening
- Laser-drilled washing pipes in stainless steel (more pressure, less maintenance)
- Weekly programming for the activation of heating and oil separator (if installed)

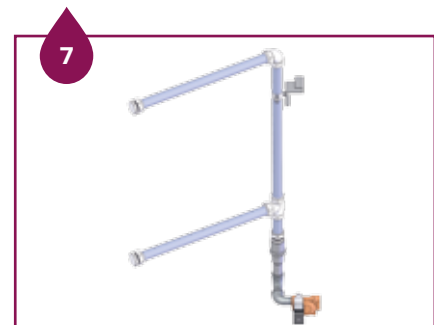
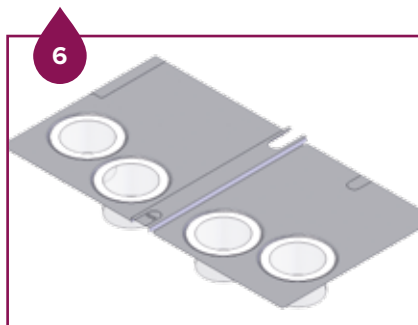
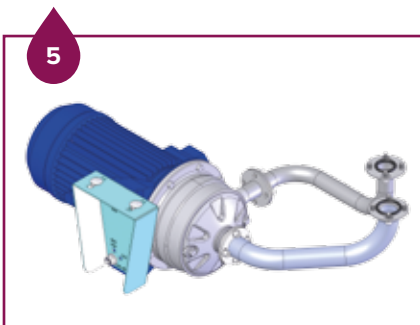
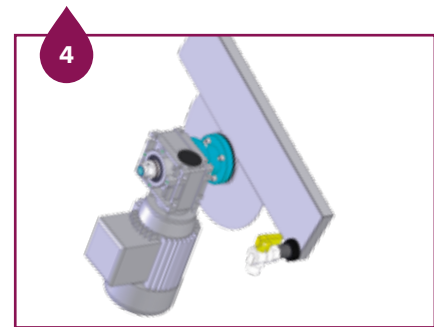
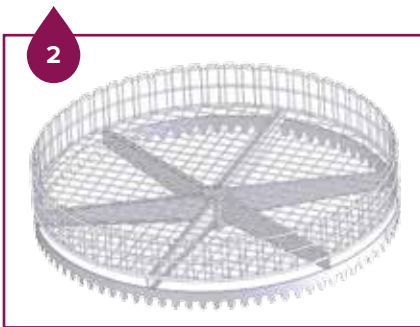
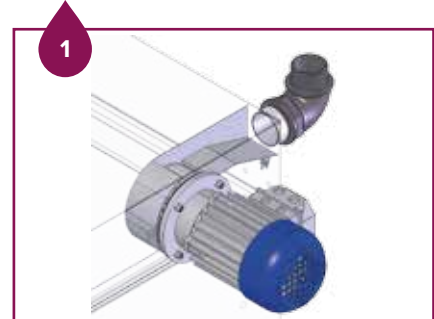
What HT version offers

- Electric steam extraction
- Thermal insulation with panels in stainless steel AISI 430
- Safety limit switch with cover opening lock during the cycle
- Panels under the basket with trap filter for grease and chip collection

What are the additional accessories

- Steam extraction (patented system) [C] [1]
- Basket in stainless steel AISI 304 [2]
- Centrifugal steam condenser with wheels
- Thermal insulation of bag filter
- Automatic liquid detergent dispenser during washing [3]
- Disc oil separator with gear motor [4]
- Bag filter on the washing pump delivery pipe [E]
- Teflon and Viton Gaskets [B]
- Kit for use with abrasive contaminants
- Kit for use with strongly caustic chemical products
- High pressure washing pump [5]
- Panels under the basket with grease collecting filters [C] [6]
- Retention tank in stainless steel
- Compressed air blowing and independent pipes [D] [7]
- Internal welding bleaching
- Tank emptying pump
- Pipes with blade-nozzle in stainless steel

[B] Tank edge Gasket excluded
 [C] Included in HT version
 [D] Steam extraction and panels under the basket compulsory
 [E] Thermal insulation of bag filter in the HT version compulsory



TECHNICAL DATA

TECHNICAL DATA	SIMPLEX 60	SIMPLEX 80
Closed machine overall dimensions (L x P x H)	92 x 78 x 108 cm	112 x 100 x 110 cm
Opened machine overall dimensions (L x P x H)	92 x 86 x 153 cm	112 x 105 x 185 cm
Washing capacity (Ø x H)	58 x 38 cm	78 x 43 cm
Basket load capacity	100 kg	100 Kg
Tank capacity	60 lt	130 lt
Washing pump	0,55 kW 2,5 bar 120 lt/min	0,55 kW 2,5 bar 120 lt/min
High pressure washing pump	2,2 kW 6,0 bar 180 lt/min	2,2 kW 5,0 bar 180 lt/min
Washing heating	4,0 kW	4,0 kW
Mechanical rotation	0,09 kW	0,09 kW
Steam extractor	0,09 kW 70 Nm ³ /h	0,09 kW 70 Nm ³ /h
Blowing (air consumption at 4 bar)	125 Nm ³ /h	150 Nm ³ /h
Supply	3PH+N+PE	3PH+N+PE
Number of nozzles	24	30

CONNECTIONS

TYPE	SIMPLEX 60	SIMPLEX 80
Steam drain outlet	Ø 50 mm	Ø 50 mm
Tank drain outlet	F 1" Gas	F 1" Gas
Water filling solenoid valve	F 3/4" Gas	F 3/4" Gas
Oil separator drain outlet	M 1/2" Gas	M 1/2" Gas
Compressed air blowing solenoid valve	F 3/4" Gas	F 3/4" Gas

DIMENSIONS

DIMENSIONS	SIMPLEX 60	SIMPLEX 80
L (width)	92 cm	112 cm
P (depth)	86 cm	105 cm
H (height)	153 cm	185 cm
DL (washing diameter)	58 cm	78 cm
HL (washing height)	38 cm	43 cm
AC (loading height)	83 cm	92 cm
LV (tank width)	64 cm	84 cm
PV (tank depth)	64 cm	84 cm
HA (opening angle)	80°	80°

